

# spider

## WASTECHNOLOGY

more than just waste  
containers...

dynamic  
waste management & recycling  
products

plastic bins

product line ▶



2 wheeled  
plastic bins with  
flat lid options



wheeled plastic  
bins with  
flat lid options



wheeled plastic  
bins with  
domed lid  
options



PLASTIC RANGE

DYNAMIC & FLEXIBLE  
SOLUTIONS AND  
SYSTEMS

Tel: +44 (0) 1787 375 302 - Fax: +44 (0) 1787 375 303

Copyright © Spider UK Ltd. 2007

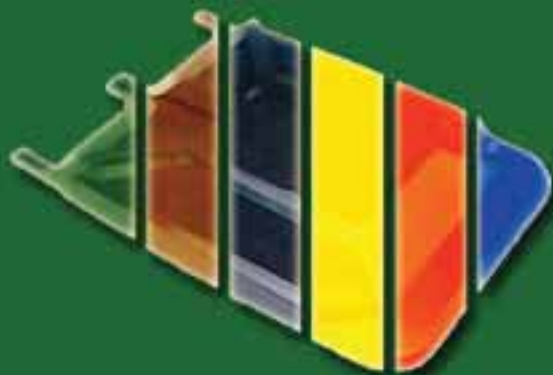
# spider

## WASTECHNOLOGY

more than just waste  
containers...

### product info

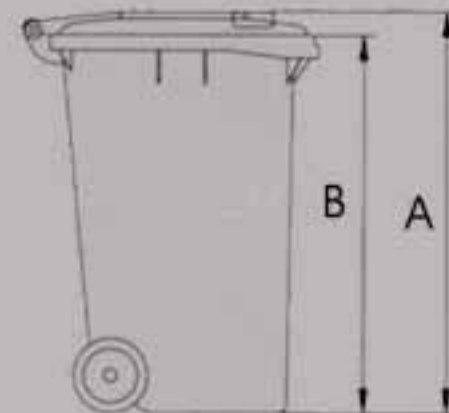
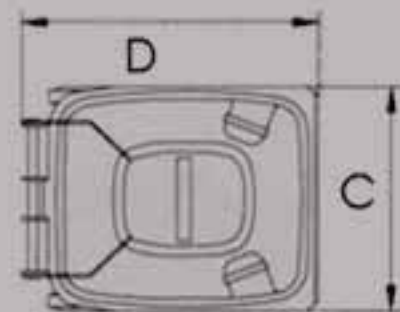
- Top quality grade A injection moulded plastic (HD-PE)
- UV, heat and chemical resistant
- Choice of colours available
- More hygienic...no smell, no bags split by hungry little animals!
- Recycling options available
- All containers are compatible with standard lifters
- EN840 certified products
- Can be used in conjunction with our neighbourhood recycling centres
- Easy rider front wheel balance systems available
- Prepared for electronic bar code attachment



dynamic  
waste management & recycling  
products

plastic bins

Volume (ltr.)	120	140	240	360
A mm	930	990	1070	1100
B mm	875	935	1000	1010
C mm	480	480	580	600
D mm	540	540	670	880



120L-360L 2 WHEELED PLASTIC BINS

CAPACITY: 120 / 140 / 240 / 360 L  
WEIGHT: 10 / 11 / 14 / 22 KG  
MAX LOAD ADMITTED: 160 / 160 / 160 / 160 KG  
AVE BAG CAPACITY: 2 / 3 / 4 / 6 BAGS

Tel: +44 (0) 1787 375 302 - Fax: +44 (0) 1787 375 303

Copyright © Spider UK Ltd. 2007



# spider

## WASTECHNOLOGY

more than just waste containers...

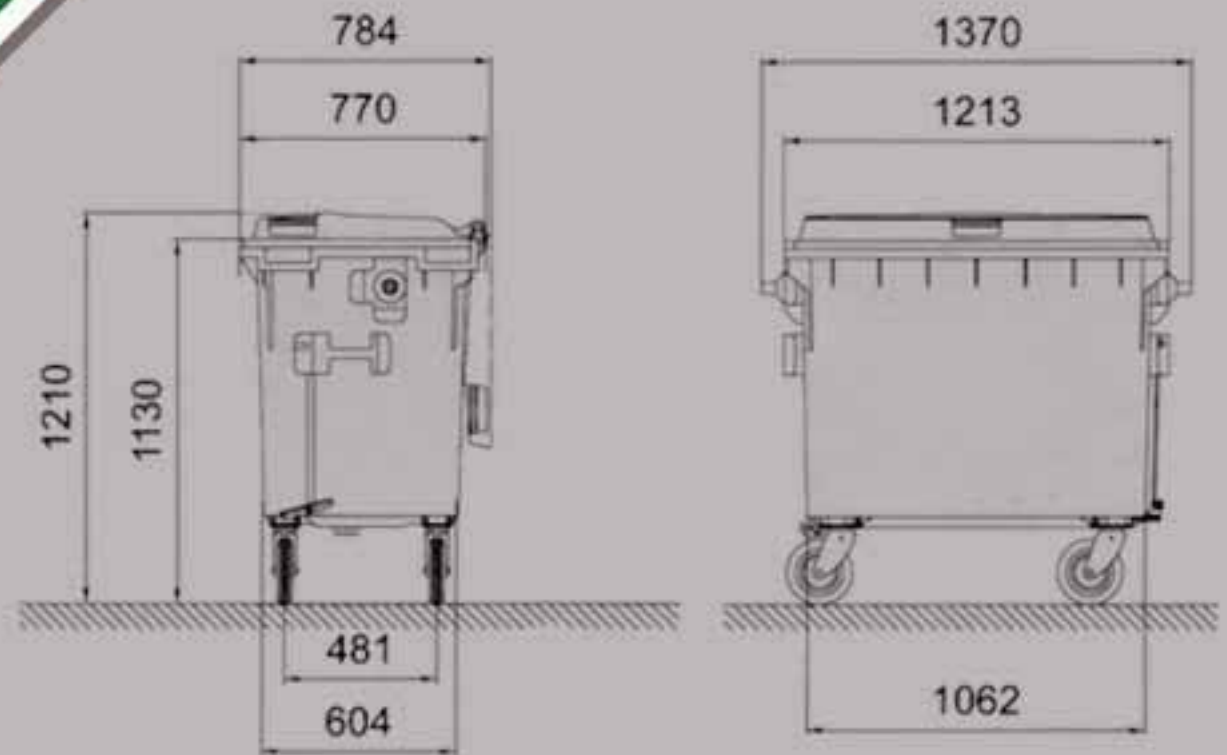
### product info

- Top quality grade A injection moulded plastic (HD-PE)
- UV, heat and chemical resistant
- Choice of colours available
- More hygienic...no smell, no split bags by hungry little animals!
- Recycling options available
- All containers are compatible with standard lifters
- EN840 certified products
- Heavy duty casters used
- Two front brakes on all four wheeled bins
- Prepared for electronic bar code attachment



dynamic  
waste management & recycling  
products

plastic bins



**660L PLASTIC WHEELED BIN**

**CAPACITY: 660L**  
**WEIGHT: 45 KG**  
**MAX LOAD ADMITTED: 270 KG**  
**AVE BAG CAPACITY: 8 BAGS**

Tel: +44 (0) 1787 375 302 - Fax: +44 (0) 1787 375 303

Copyright © Spider UK Ltd. 2007

# spider

## WASTECHNOLOGY

more than just waste  
containers...

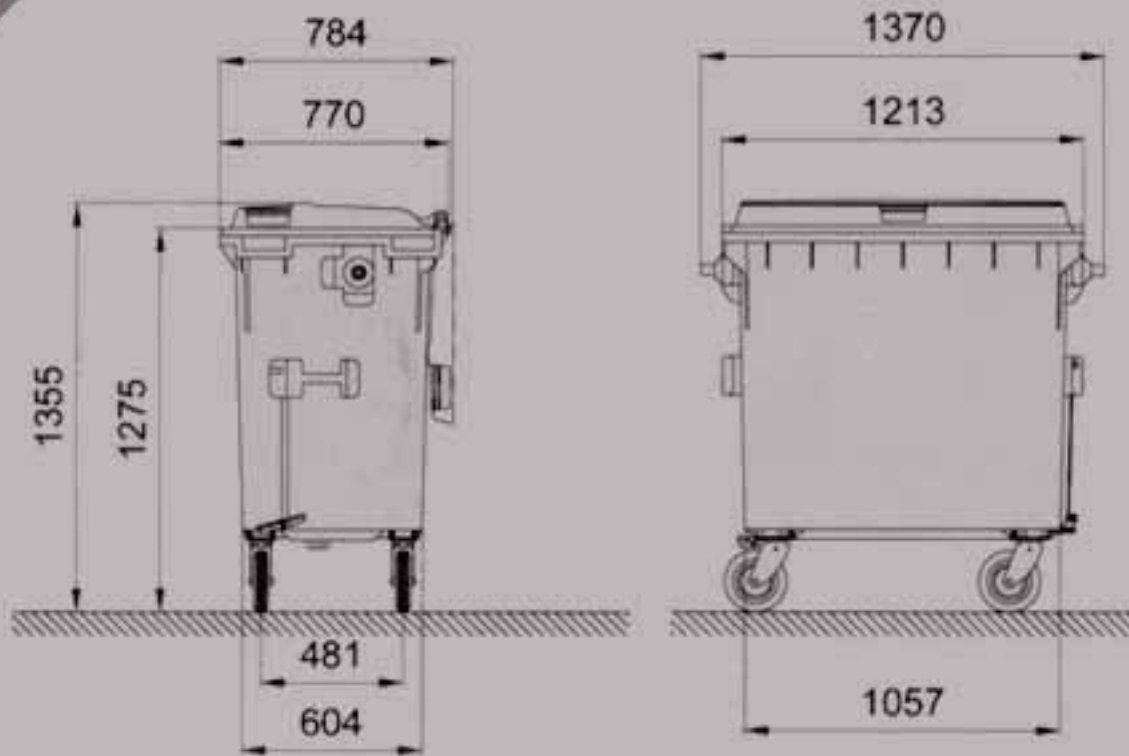
### product info

- Top quality grade A injection moulded plastic (HD-PE)
- UV, heat and chemical resistant
- Choice of colours available
- More hygienic...no smell, no split bags by hungry little animals!
- Recycling options available
- All containers are compatible with standard lifters
- EN840 certified products
- Heavy duty casters used
- Two front brakes on all four wheeled bins
- Prepared for electronic bar code attachment



dynamic  
waste management & recycling  
products

plastic bins



**770L PLASTIC WHEELED BIN**

CAPACITY: 770L  
WEIGHT: 47 KG  
MAX LOAD ADMITTED: 310 KG  
AVE BAG CAPACITY: 9 BAGS

Tel: +44 (0) 1787 375 302 - Fax: +44 (0) 1787 375 303

Copyright © Spider UK Ltd. 2007



# spider

## WASTECHNOLOGY

more than just waste  
containers...

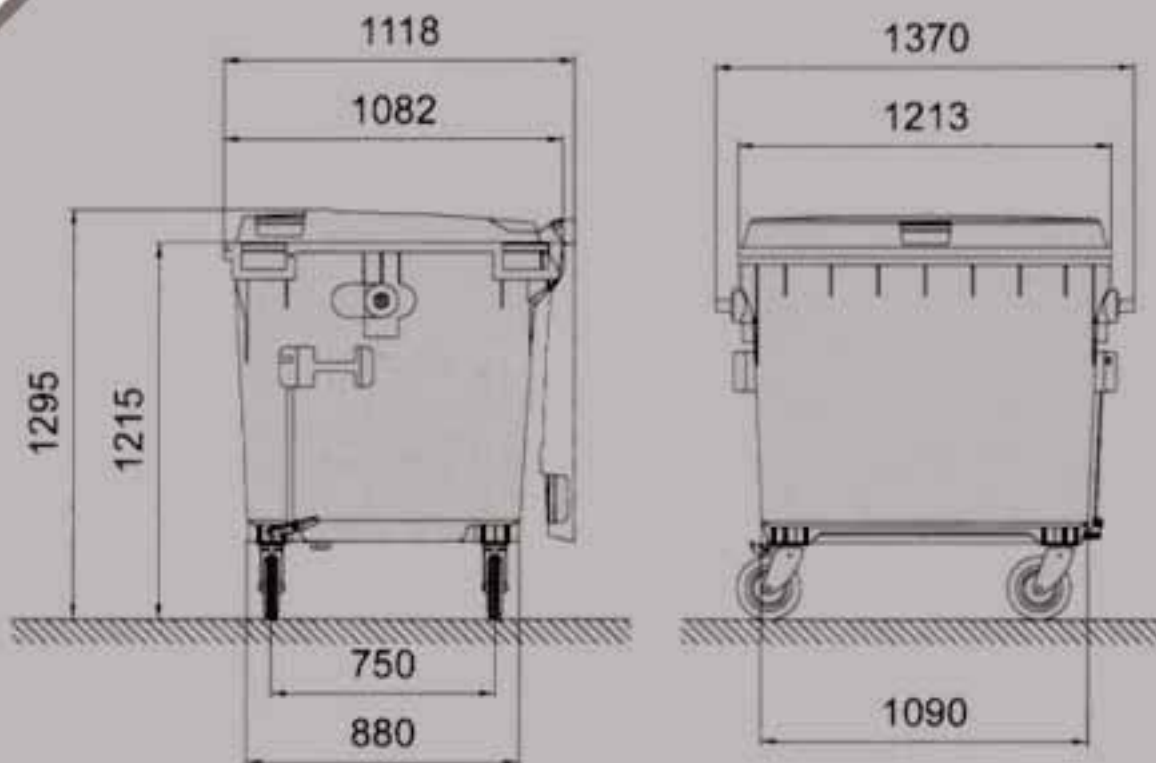
### product info

- Top quality grade A injection moulded plastic (HD-PE)
- UV, heat and chemical resistant
- Choice of colours available
- More hygienic...no smell, no split bags by hungry little animals!
- Recycling options available
- All containers are compatible with standard lifters
- EN840 certified products
- Heavy duty casters used
- Two front brakes on all four wheeled bins
- Prepared for electronic bar code attachment



dynamic  
waste management & recycling  
products

plastic bins



**1100L PLASTIC WHEELED BIN**

**CAPACITY: 1100L  
WEIGHT: 58 KG  
MAX LOAD ADMITTED: 450 KG  
AVE BAG CAPACITY: 13 BAGS**

Tel: +44 (0) 1787 375 302 - Fax: +44 (0) 1787 375 303

Copyright © Spider UK Ltd. 2007

# spider

## WASTECHNOLOGY

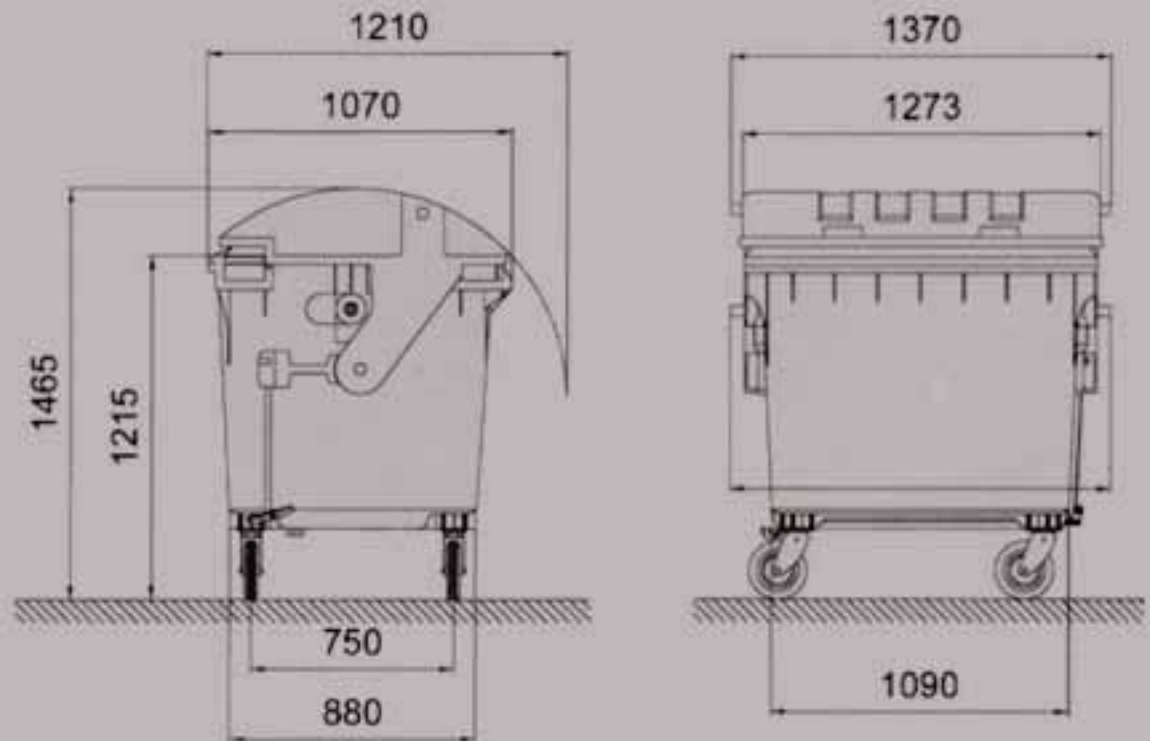
more than just waste  
containers...

dynamic  
waste management & recycling  
products

plastic bins

### product info

- Top quality grade A injection moulded plastic (HD-PE)
- UV, heat and chemical resistant
- Choice of colours available
- More hygienic...no smell, no split bags by hungry little animals!
- Recycling options available
- All containers are compatible with standard lifters
- EN840 certified product with child safety mechanism
- Heavy duty casters used
- Two front brakes on all four wheeled bins
- Prepared for electronic bar code attachment



**1100L-D PLASTIC WHEELED BIN**

**CAPACITY: 1100L  
WEIGHT: 68 KG  
MAX LOAD ADMITTED: 450 KG  
AVE BAG CAPACITY: 16 BAGS**

Tel: +44 (0) 1787 375 302 - Fax: +44 (0) 1787 375 303

Copyright © Spider UK Ltd. 2007