

# spider

## WASTECHNOLOGY

more than just waste  
containers...

dynamic  
waste management & recycling  
products

metal bins

product line ▸



wheeled steel  
bins with  
flat lid options



static steel  
bins with domed  
lid options



post mounted  
litter bins



ground level  
ward, cage or  
litter bins



*European version pictured.  
Full UK specification available.*

**METAL RANGE**

**DYNAMIC & FLEXIBLE  
SOLUTIONS AND  
SYSTEMS**

Tel: +44 (0) 1787 375 302 - Fax: +44 (0) 1787 375 303

Copyright © Spider UK Ltd. 2007

# spider

## WASTECHNOLOGY

more than just waste  
containers...

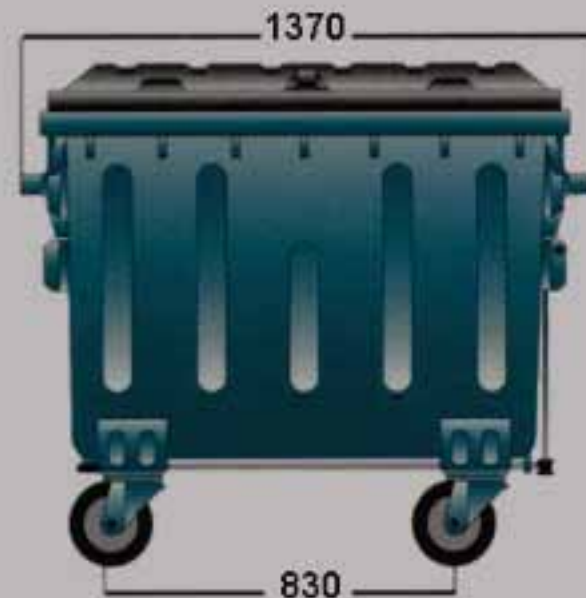
### product info

- High quality, hot dip galvanized steel
- Colour finish by electrostatic powder coating available
- Full choice of RAL colours, logos and embossing available
- Plastic lid supplied but light & heavy duty metal lids available!
- Recycling options available
- All containers are compatible with standard lifters
- EN840 certified products
- Heavy duty steel centered casters used
- Brakes on all four wheeled bins
- Continuous welding



dynamic  
waste management & recycling  
products

metal bins



**MSE 660L STEEL WHEELED BIN**

CAPACITY: 660L  
WEIGHT: 15 KG  
MAX LOAD ADMITTED: 450 KG  
AVE BAG CAPACITY: 8 BAGS

Tel: +44 (0) 1787 375 302 - Fax: +44 (0) 1787 375 303

Copyright © Spider UK Ltd. 2007



# spider

## WASTECHNOLOGY

more than just waste  
containers...

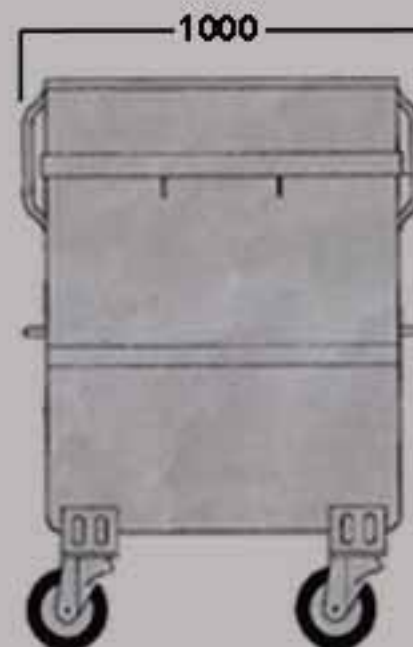
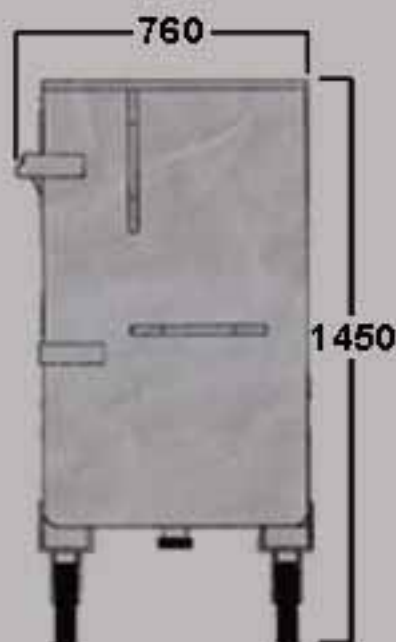
### product info

- ✓ High quality, hot dip galvanized steel
- ✓ Reinforced wheel base for strength and rigidity
- ✓ A superior and safe replacement for the old and dangerous palladin-style bin
- ✓ Extra tall and thin profile whilst maintaining stability
- ✓ Designed for restricted/confined spaces such as high-rise chutes etc...
- ✓ All containers are compatible with standard lifters
- ✓ EN840 certified products
- ✓ Heavy duty steel centered casters used
- ✓ Brakes on all four wheeled bins
- ✓ Continuous welding



dynamic  
waste management & recycling  
products

metal bins



### BLOCKBUSTER 720L STEEL WHEELED BIN

CAPACITY: 720L  
WEIGHT: 85 KG  
MAX LOAD ADMITTED: 450 KG  
AVE BAG CAPACITY: 8 BAGS

Tel: +44 (0) 1787 375 302 - Fax: +44 (0) 1787 375 303

Copyright © Spider UK Ltd. 2007

# spider

## WASTECHNOLOGY

more than just waste  
containers...

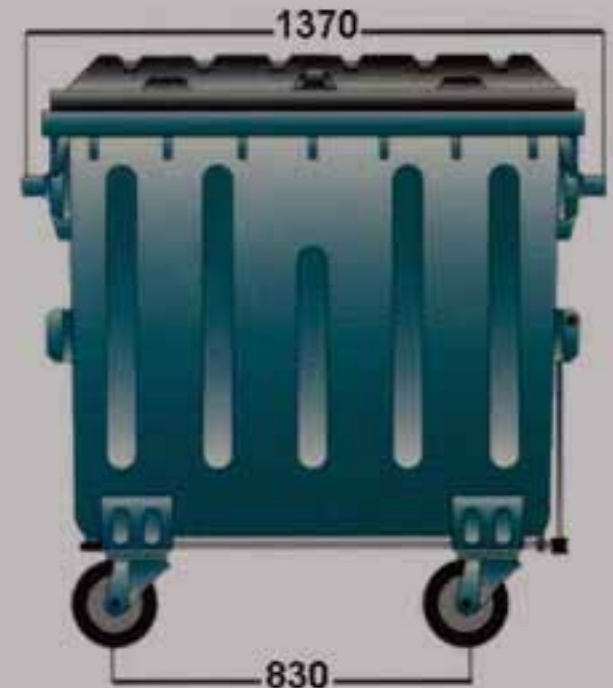
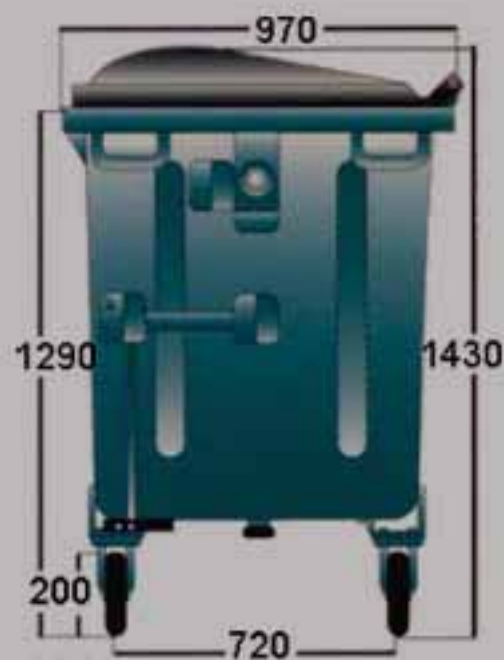
### product info

- High quality, hot dip galvanized steel
- Colour finish by electrostatic powder coating available
- Full choice of RAL colours, logos and embossing available
- Plastic lid supplied but light & heavy duty metal lids available!
- Recycling options available
- All containers are compatible with standard lifters
- EN840 certified products
- Heavy duty steel centered casters used
- Brakes on all four wheeled bins
- Continuous welding



dynamic  
waste management & recycling  
products

metal bins



**MSE 770L STEEL WHEELED BIN**

CAPACITY: 770L  
WEIGHT: 90 KG  
MAX LOAD ADMITTED: 450 KG  
AVE BAG CAPACITY: 9 BAGS

Tel: +44 (0) 1787 375 302 - Fax: +44 (0) 1787 375 303

Copyright © Spider UK Ltd. 2007



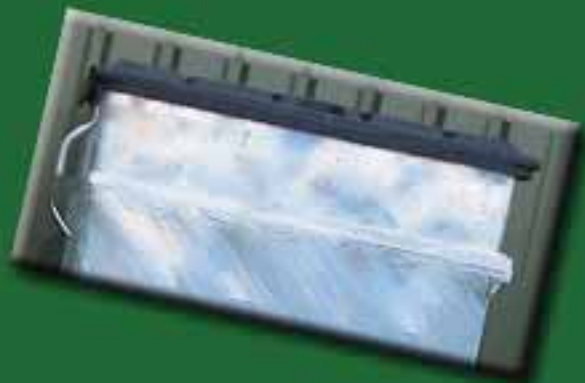
# spider

## WASTECHNOLOGY

more than just waste  
containers...

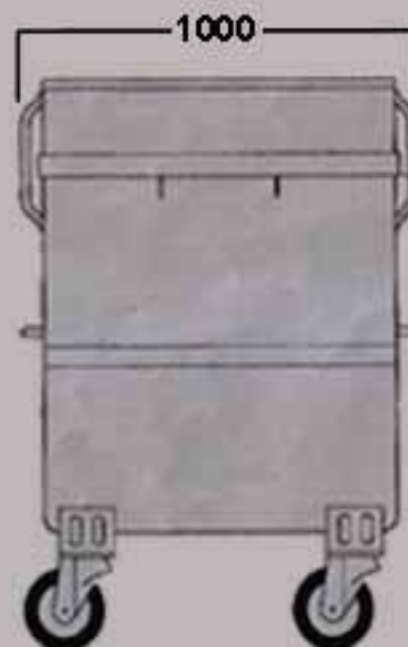
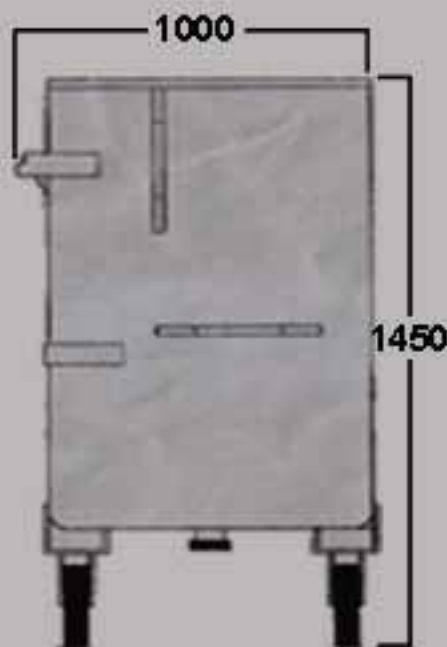
### product info

- High quality, hot dip galvanized steel
- Reinforced wheel base for strength and rigidity
- A superior and safe replacement for the old and dangerous palladin-style bin
- Plastic lid available
- Designed for restricted/confined spaces such as high-rise chutes etc...
- All containers are compatible with standard lifters
- EN840 certified products
- Heavy duty steel centered casters used
- Brakes on all four wheeled bins
- Continuous welding



dynamic  
waste management & recycling  
products

metal bins



**WASTEBUSTER 940L STEEL WHEELED BIN**

CAPACITY: 940L  
WEIGHT: 95 KG  
MAX LOAD ADMITTED: 450 KG  
AVE BAG CAPACITY: 11 BAGS

Tel: +44 (0) 1787 375 302 - Fax: +44 (0) 1787 375 303

Copyright © Spider UK Ltd. 2007

# spider

## WASTECHNOLOGY

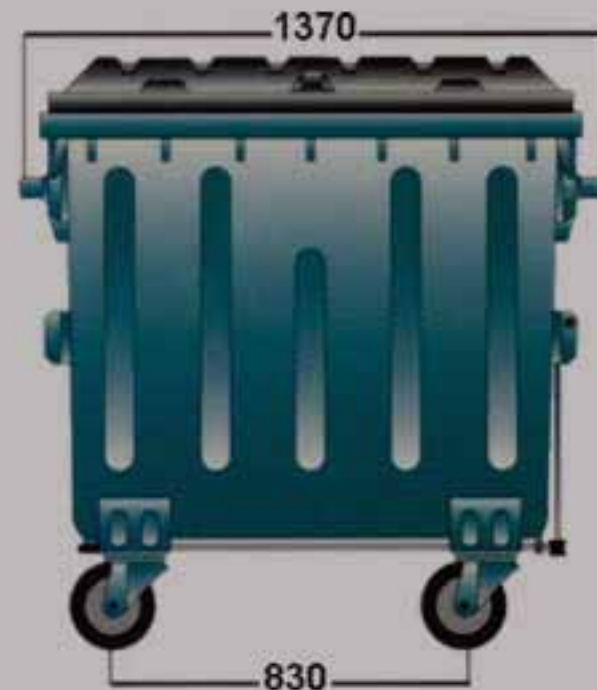
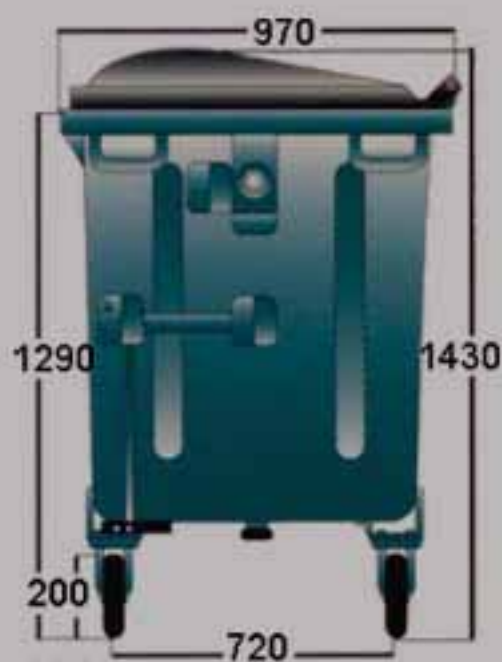
more than just waste  
containers...

### product info

- High quality, hot dip galvanized steel
- Colour finish by electrostatic powder coating available
- Full choice of RAL colours, logos and embossing available
- Plastic lid supplied but light & heavy duty metal lids available!
- Recycling options available
- All containers are compatible with standard lifters
- EN840 certified products
- Heavy duty steel centered casters used
- Brakes on all four wheeled bins
- Continuous welding

dynamic  
waste management & recycling  
products

metal bins



**MSE 1100L STEEL WHEELED BIN**

**CAPACITY: 1100L  
WEIGHT: 99 KG  
MAX LOAD ADMITTED: 450 KG  
AVE BAG CAPACITY: 13 BAGS**

Tel: +44 (0) 1787 375 302 - Fax: +44 (0) 1787 375 303

Copyright © Spider UK Ltd. 2007



# spider

## WASTECHNOLOGY

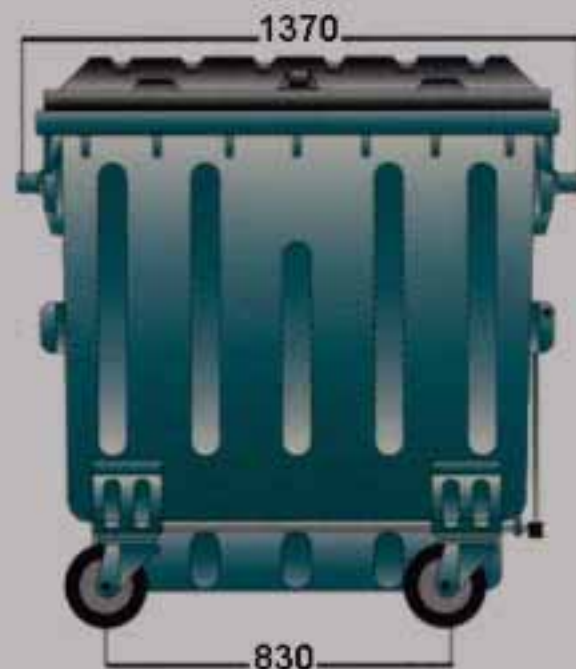
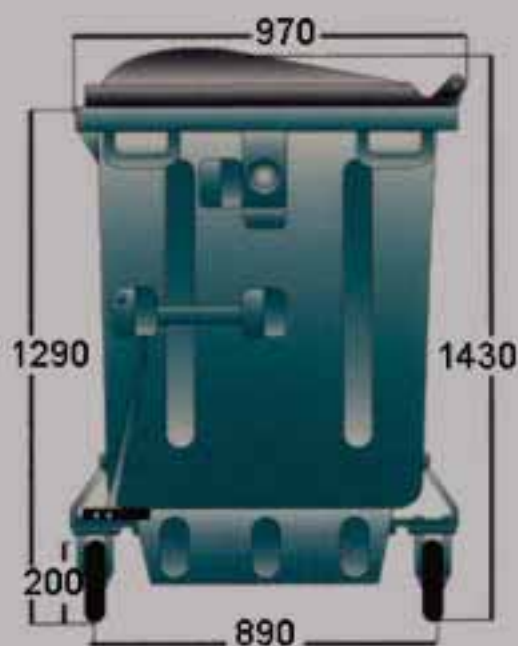
more than just waste  
containers...

### product info

- High quality, hot dip galvanized steel
- Colour finish by electrostatic powder coating available
- Full choice of RAL colours, logos and embossing available
- Plastic lid supplied but light & heavy duty metal lids available!
- Recycling options available
- All containers are compatible with standard lifters
- EN840 certified products
- Heavy duty steel centered casters used
- Brakes on all four wheeled bins
- Continuous welding

dynamic  
waste management & recycling  
products

metal bins



**MSE 1300L STEEL WHEELED BIN**

CAPACITY: 1300L  
WEIGHT: 111 KG  
MAX LOAD ADMITTED: 450 KG  
AVE BAG CAPACITY: 16 BAGS

Tel: +44 (0) 1787 375 302 - Fax: +44 (0) 1787 375 303

Copyright © Spider UK Ltd. 2007

# spider

## WASTECHNOLOGY

more than just waste  
containers...

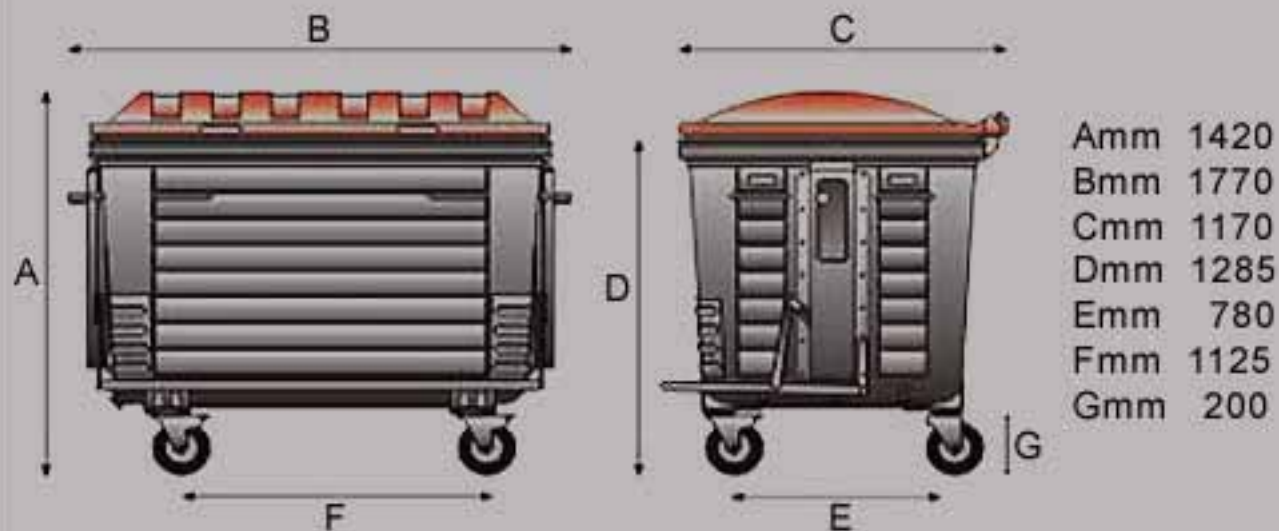
### product info

- High quality, hot dip galvanized steel
- Colour finish by electrostatic powder coating available
- Full choice of RAL colours, logos and embossing available
- Plastic lid supplied with foot pedal operated opening device for safety
- Recycling options available
- All containers are compatible with standard lifters
- EN840 certified products
- Heavy duty steel centered casters used
- Brakes on all four wheeled bins
- Continuous welding



dynamic  
waste management & recycling  
products

metal bins



**MSE 1700L STEEL WHEELED BIN**

**CAPACITY: 1700L**  
**WEIGHT: 140 KG**  
**MAX LOAD ADMITTED: 450 KG**  
**AVE BAG CAPACITY: 21 BAGS**

Tel: +44 (0) 1787 375 302 - Fax: +44 (0) 1787 375 303

Copyright © Spider UK Ltd. 2007



# spider

## WASTECHNOLOGY

more than just waste  
containers...

### product info

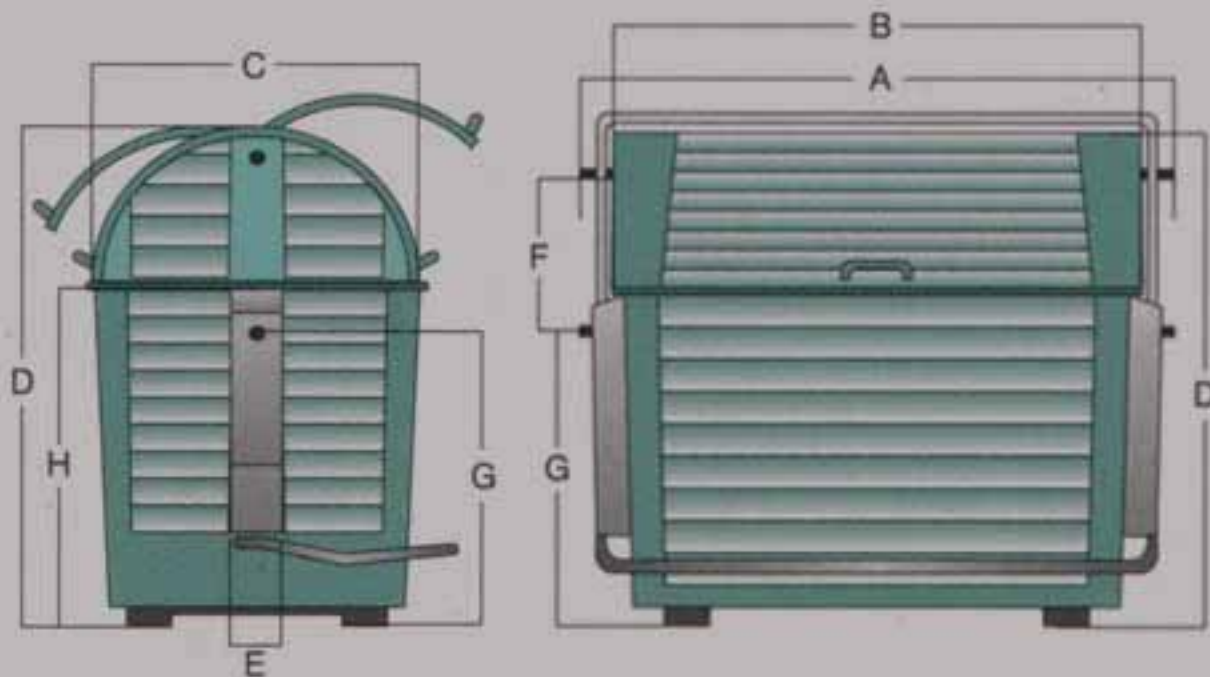
- High quality, hot dip galvanized steel
- Colour finish by electrostatic powder coating available
- Full choice of RAL colours, logos and embossing available
- Aluminium lid supplied with foot pedal
- Symmetric opening with gas spring operated lid brake to ensure safety
- Accessible from both front and back
- Recycling options available
- Compatible with standard lifters
- EN840 certified products
- Continuous welding



dynamic  
waste management & recycling  
products

metal bins

Amm	1880	Cmm	1220	Emm	200	Gmm	1000
Bmm	1760	Dmm	1640	Fmm	480	Hmm	1200



**MSD 2400L STATIC STEEL BIN**

**CAPACITY: 2400L**  
**WEIGHT: 220 KG**  
**MAX LOAD ADMITTED: 900 KG**  
**AVE BAG CAPACITY: 30 BAGS**

Tel: +44 (0) 1787 375 302 - Fax: +44 (0) 1787 375 303

Copyright © Spider UK Ltd. 2007

# spider

## WASTECHNOLOGY

more than just waste containers...

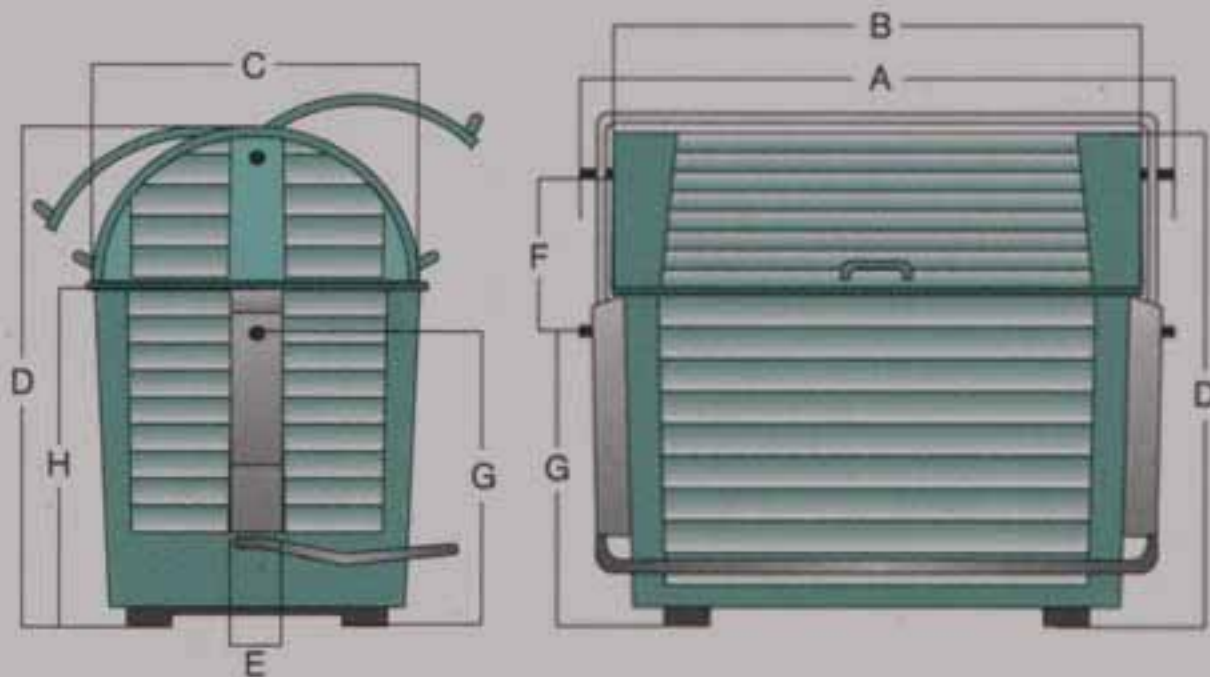
dynamic  
waste management & recycling  
products

metal bins

Amm	1880	Cmm	1460	Emm	200	Gmm	1000
Bmm	1760	Dmm	1660	Fmm	480	Hmm	1270

### product info

- High quality, hot dip galvanized steel
- Colour finish by electrostatic powder coating available
- Full choice of RAL colours, logos and embossing available
- Aluminium lid supplied with foot pedal
- Symmetric opening with gas spring operated lid brake to ensure safety
- Accessible from both front and back
- Recycling options available
- Compatible with standard lifters
- EN840 certified products
- Continuous welding



**MSD 3200L STATIC STEEL BIN**

**CAPACITY: 3200L**  
**WEIGHT: 300 KG**  
**MAX LOAD ADMITTED: 900 KG**  
**AVE BAG CAPACITY: 40 BAGS**

Tel: +44 (0) 1787 375 302 - Fax: +44 (0) 1787 375 303

Copyright © Spider UK Ltd. 2007





# spider

## WASTECHNOLOGY

more than just waste  
containers...

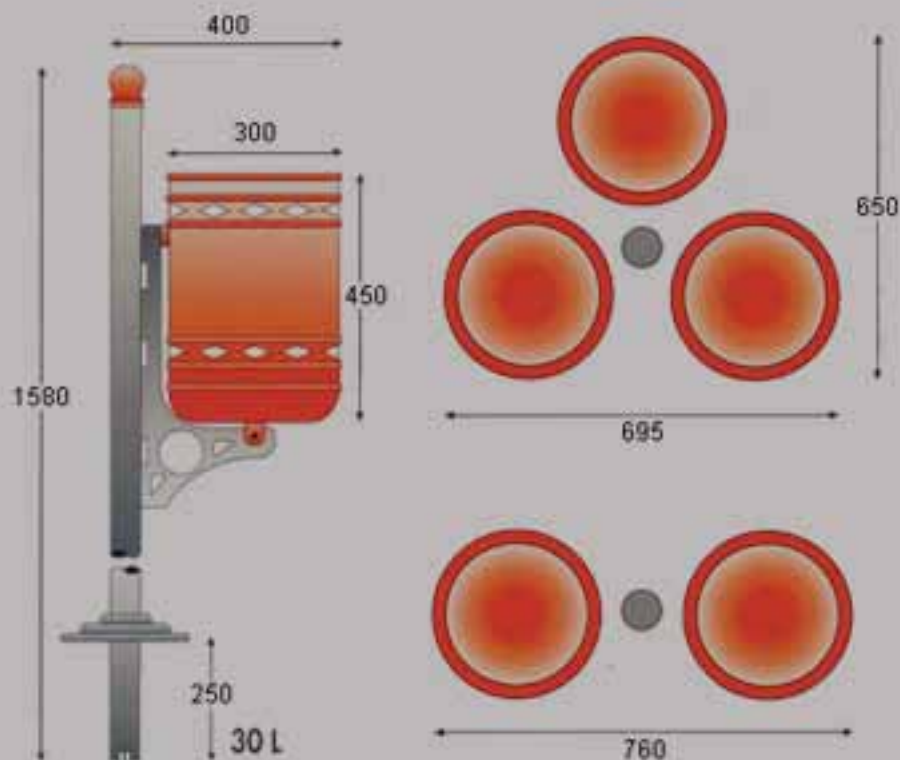
### product info

- High quality, hot dip galvanized steel
- Colour finish by electrostatic powder coating available
- Standard litter, battery recycling, dog waste and medical versions available
- Attractive parametric bars and perforations
- Can be wall mounted
- Use as 1, 2 or 3 basket sets
- Support lock according to DIN 22417
- Waste collection by tipping basket
- 250mm of floor post fixing foundation



dynamic  
waste management & recycling  
products

metal bins



EK-B/D/M 38L-114L POST MOUNTED BINS

BASKET CAPACITY: 38L  
AVE BAG CAPACITY: 1 BAG

Tel: +44 (0) 1787 375 302 - Fax: +44 (0) 1787 375 303

Copyright © Spider UK Ltd. 2007

# spider

## WASTECHNOLOGY

more than just waste  
containers...

### product info

- Manufactured from high quality steel plates
- Formed conically with parametric and vertical reinforcements
- Externally decorated with wooden parts
- External electro statically applied powder coating in various colours
- Corporate logos and local authority crests made from aluminum plates
- Safety lock, DIN 22417, which prevents unauthorized use
- Two handles on internal liner, for easy emptying
- Suitable for parks, pavements, stations, schools, sports centers, hotels, e.t.c.



dynamic  
waste management & recycling  
products

metal bins



**XRD 45L WOODEN GROUND LEVEL LITTER BIN**

**CAPACITY: 45L  
AVE BAG CAPACITY: 1 BAG**

Tel: +44 (0) 1787 375 302 - Fax: +44 (0) 1787 375 303

Copyright © Spider UK Ltd. 2007



# spider

## WASTECHNOLOGY

more than just waste  
containers...

### product info

- Manufactured from appropriately treated high quality cast iron parts and steel plates
- Vertical and parametric pressed reinforcements, forming an octagonal profile
- Galvanized for effective corrosion protection
- External electro statically applied powder coating in various colours
- Corporate logos and local authority crests made from aluminum plates
- Decorative wooden parts on request
- Two handles on internal liner, for easy emptying
- Safety lock, DIN 22417, which prevents unauthorized use
- Non-falling safety device on lid



dynamic  
waste management & recycling  
products

metal bins



**XAD 75L CAST IRON GROUND LEVEL LITTER BIN**

**CAPACITY: 75L  
AVE BAG CAPACITY: 1 BAG**

Tel: +44 (0) 1787 375 302 - Fax: +44 (0) 1787 375 303

Copyright © Spider UK Ltd. 2007

# spider

## WASTECHNOLOGY

more than just waste  
containers...

### product info

- Manufactured from appropriately treated high quality cast iron parts and steel plates
- Vertical and parametric pressed reinforcements, forming an octagonal profile
- Galvanized for effective corrosion protection
- External electro statically applied powder coating in various colours
- Lid with large aperture for easy litter disposal
- Corporate logos and local authority crests made from aluminum plates
- Decorative wooden parts on request
- Two handles on internal liner, for easy emptying
- Safety lock, DIN 22417, which prevents unauthorized use



dynamic  
waste management & recycling  
products

metal bins



**XAD 80L CAST IRON GROUND LEVEL LITTER BIN**

**CAPACITY: 80L  
AVE BAG CAPACITY: 1 BAG**

Tel: +44 (0) 1787 375 302 - Fax: +44 (0) 1787 375 303

Copyright © Spider UK Ltd. 2007



# spider

## WASTECHNOLOGY

more than just waste  
containers...

### product info

- Fabricated using high quality steel
- Ground bolted, free standing or wall mounted options
- Choice of colours available
- Various lid options & colours, including recycling lids
- Bags wrap around rim and tuck securely under elastic belt
- Lid locks available
- Front mesh designed to protect bag but can be removed easily & bin used without
- Ideal for hospital, station or airport use
- See-through body so contents can be visible with clear bag
- Ideal for sensitive locations where visual security is paramount



dynamic  
waste management & recycling  
products

metal bins



**CB 75L / 120L WARD OR CAGE BINS**

**CAPACITY: 75L / 120L  
AVE BAG CAPACITY: 1 BAG**

Tel: +44 (0) 1787 375 302 - Fax: +44 (0) 1787 375 303

Copyright © Spider UK Ltd. 2007